



GREYSTONE ENERGY SYSTEMS INC

MINI CURRENT SENSOR CS-652 Series

The CS-652 series of mini current sensors monitor line current for electrical loads such as pumps, conveyors, machine tools or fans and provide an output of 4-20 mA to represent the load current.

The CS-652 series is loop-powered and requires an external 15-30 Vdc power supply.



SPECIFICATION:

Measurement Range:.....0-10, 20, or 50 Amps
 Maximum Input Current:.... 100 Amps Continuous
 Accuracy:.....± 1% FSO (5-100% of range)
 Signal Output:.....4-20 mA
 Sensor Power:.....15-30 Vdc, Loop-powered
 Insulation Class:.....600 Vac, insulated conductors
 Frequency:.....50/60 Hz
 Response Time:.....250 mS Typical, 0-90 %
 Output Load:.....250Ω typical
 Maximum Load:.....>600 Ω at 24 Vdc
 Operating Temperature:.....-15 to 60 °C (5 to 140 °F)
 Operating Humidity:.....5 to 90% RH non-condensing
 Terminal Block:.....14 to 22 AWG
 Dimensions:.....48 x 49 x 21 mm
 (1.9 x 1.93 x 0.83 in)
 Sensor Aperture:.....11.4 mm (0.45 in)
 Enclosure Material:.....ABS/PC, UL94 V-0
 Agency Approvals:.....cULus Listed

PART NUMBER SELECTED

PRODUCT SELECTION INFORMATION:

MODEL	Product Description
CS-652	Mini Solid-core Current Sensor, 4-20 mA output

CODE	Sensing Range
10	0-10 Amps
20	0-20 Amps
50	0-50 Amps

CS-652 - 10

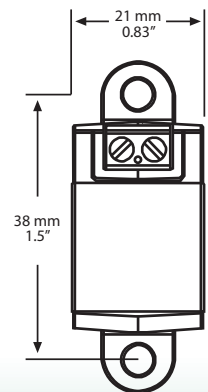
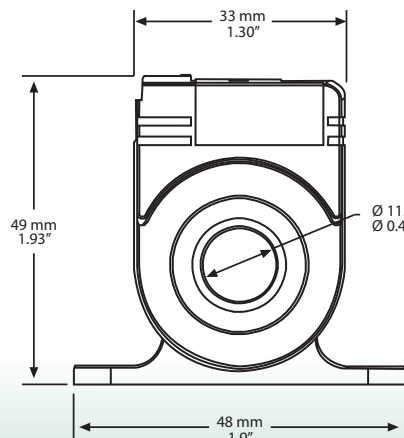
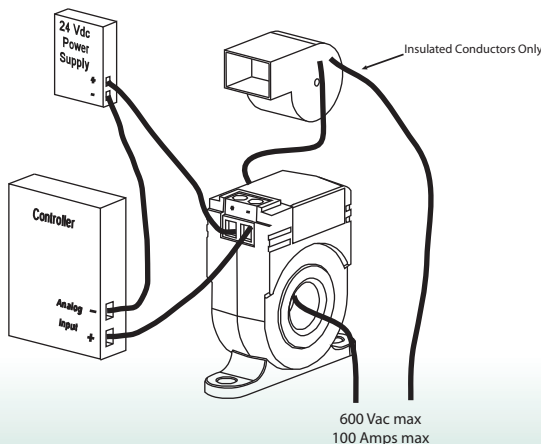
Greystone Energy Systems, Inc. reserves the right to make design modifications without prior notice.

TYPICAL INSTALLATION:

For complete installation and wiring details, please refer to the product installation instructions.

The CS-652 series must be mounted in an electrical enclosure and has an integral mounting tab to allow screw mount to a surface.

The CS-652 series has a 2 wire connection to the Building Automation System.



Greystone Energy Systems, Inc.
 150 English Drive, Moncton, NB
 Canada E1E 4G7
 www.greystoneenergy.com

(506) 853-3057 Fax: (506) 853-6014
 North America: 1-800-561-5611
 e-mail: mail@greystoneenergy.com

