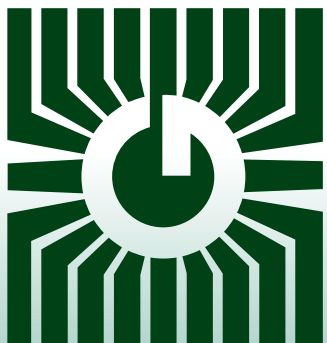


GREYSTONE
ACCURACY BY DESIGN



MINI-CURRENT SENSOR CS-6XX Series



Precision power control/sensing

FEATURES:

- Solid Core
- Analog Output
- Up to 100 amps input current
- Small, Compact Design

*Peace of mind
through reliable
current sensors*

GREYSTONE HAS AN **ISO 9001** REGISTERED QUALITY SYSTEM

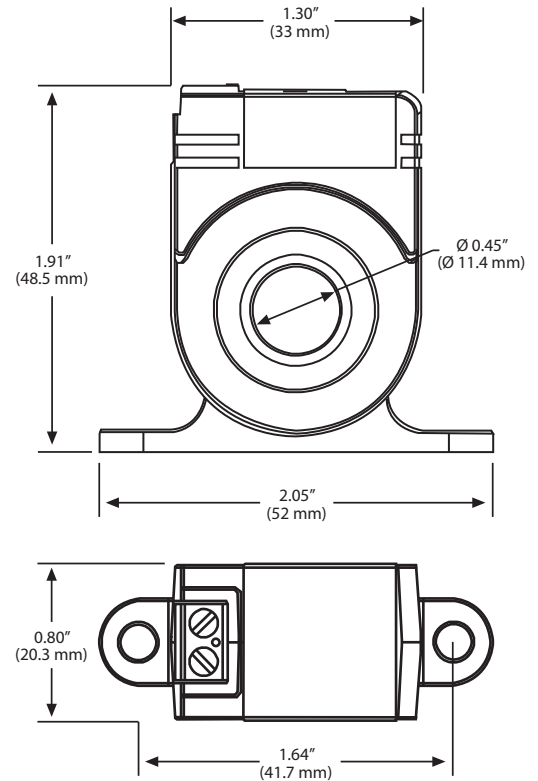
DESCRIPTION:

The CS-6XX-XX series of current sensors monitor line current for electrical loads such as pumps, conveyors, machine tools or fans and provide an output of 4-20 mA, 0-5 Vdc or 0-10 Vdc (Model specific) to represent the load current.

The CD-650 & CS-651 series require no external power supply as they are totally powered by induction from the AC line being monitored. The CS-652 series is loop-powered and require an external 15-30 Vdc power supply.

SPECIFICATION:

Measurement Range:.....	10/20/50 Amps (Model specific)
Maximum Input Current:.....	100 Amps continuous
Accuracy:.....	± 1% FSO
Sensor Power:.....	Self-powered (CS-650 & CS-651) 15-30 Vdc, Loop-powered (CS-652)
Output Type:.....	0-5 Vdc, 0-10 Vdc or 4-20 mA
Output Load:.....	1 MΩ Typical (CS-650 & CS-651) 250 Ω Typical (CS-652)
Loading Error:.....	Add 1.2% error with 100 KΩ (CS-650 & CS-651 Only)
Frequency:.....	50/60 Hz
Response Time:.....	<250 mS Typical (0-90%)
Insulation Class:.....	600 Vac, insulated conductors
Operating Temperature:.....	-15 to 60 °C (5 to 140 °F)
Operating Humidity:.....	5 to 90% RH non-condensing
Terminal Block:.....	14 to 22 AWG
Dimensions:.....	2.05 x 1.91 x 0.8 in (52 x 48.5 x 20.3 mm)
Sensor Aperture:.....	0.45 in (11.4 mm)
Enclosure Material:.....	ABS/PC, UL94 V-0
Agency Approvals:.....	cULus Listed



PRODUCT ORDERING INFORMATION

MODEL	Output Signal
CS650	0-5 Vdc, Self-powered
CS651	0-10 Vdc, Self-powered
CS652	4-20 mA, Loop-powered

CODE	Input Range
10	0-10 Amps
20	0-20 Amps
50	0-50 Amps

CS650	10	Current Sensor, 0-5 Vdc Output, 0-10 Amp Input
-------	----	---

Greystone Energy Systems, Inc. reserves the right to make design modifications without prior notice.



GREYSTONE
ACCURACY BY DESIGN

Greystone Energy Systems Inc.
150 English Drive, Moncton, N.B.
Canada E1E 4G7

(506) 853-3057 Fax: (506) 853-6014
North America: 1-800-561-5611
e-mail: mail@greystoneenergy.com
www.greystoneenergy.com



Greystone Energy Systems Inc. is one of North America's largest ISO registered manufacturers of HVAC sensors and transducers for Building Automation Management Systems.

We have conscientiously established a worldwide reputation as an industry leader by maintaining leading-edge design technology, prompt technical support, and a commitment to on-time deliveries. We take pride in our Quality Management System which is ISO 9001 certified, assuring our customers of consistent product reliability.

GREYSTONE HAS AN ISO 9001 REGISTERED QUALITY SYSTEM