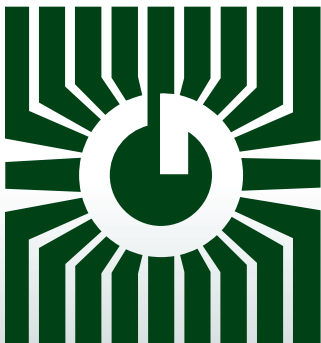


GREYSTONE ENERGY SYSTEMS INC



LIQUID PRESSURE TRANSMITTERS WP Series



Precision pressure control/sensing

FEATURES:

- Differential and gauge pressure models
- Four, switch selectable, ranges per model
- Jumper selectable outputs: 4-20mA, 0-5 Vdc or 0-10 Vdc
- Optional backlit (jumper-selectable) LCD
- All stainless steel sensor construction
- Port swap switch to correct incorrect plumbing
- Switch selectable uni or bi-directional
- IP65 (Nema 4X) hinged enclosure

*Peace of mind
through reliable
pressure monitoring*

GREYSTONE HAS AN ISO 9001 REGISTERED QUALITY SYSTEM

APPLICATIONS:

- Pump Monitoring
- Filter Monitoring
- Chiller Monitoring
- HVAC Systems

SPECIFICATIONS:

Media Compatibility:.....	17-4 PH stainless steel
Pressure Ranges:.....	4 ranges per model - Switch selectable
	0-5/10/25/50 psig/d 0-.5/1/2.5/5 Bar 0-50/100/250/500 kPa
	0-10/20/50/100 psig/d 0-.75/1.5/3.75/7.5 Bar 0-75/150/375/750 kPa
	0-20/40/100/200 psig/d 0-1/2/5/10 Bar 0-100/200/500/1000 kPa
	0-50/100/250/500 psig/d 0-3/6/15/30 Bar 0-300/600/1500/3000 kPa
Line Pressure:.....	Max. line pressure is the highest of the selectable ranges on each model i.e.: WP-D-101 has a maximum line pressure of 50 psi
Proof Pressure:.....	Max. 2X highest range per model
Burst Pressure:.....	Max. 5X highest range per model
Accuracy:.....	± 1% F.S. of range selected with combined linearity, hysteresis, and repeatability
Pressure Cycles:.....	>100 million
Surge Damping:.....	Normal: 4 second averaging Slow: 8 second averaging, switch selectable
Sensor Operating Range:.....	-40° to 85°C (-40° to 185°F)
Compensated Range:.....	0° to 55°C (32° to 130°F)
Operating Environment:.....	0° to 50°C (32° to 122°F), 10-90% RH condensing
Stability:.....	±0.25% typical (1 year)
Zero Adjust:.....	Push-button auto-zero and digital input
Operating Humidity:.....	0 to 95% RH non-condensing
Power Supply:.....	18 to 28 Vac/Vdc (non-isolated half-wave rectified)
Consumption:.....	100 mA max @ 24 Vdc with LCD backlight, 35 mA with backlight disabled
Output Signal:.....	3-wire transmitter; user selectable 4-20mA active(sourcing), 0-5V and 0-10V
Pressure Connections:.....	1/8" NPT female
Enclosure:.....	ABS, hinged lid with gasket, IP65 (Nema 4X) 145 X 100 X 64 mm (5.7" X 3.95" X 2.5")
Shock:.....	100G, 11 mSec, 1/2 sine
Vibration:.....	10G peak 20 to 2000 Hz
	10K ohms min for voltage output
Wiring Connections:.....	Screw terminal block (14 to 22 AWG)
Optional LCD Display:.....	35 mm x 15 mm (1.4" w x 0.6" h) alpha-numeric 2 line x 8 character Resolution - 1 psi Backlight - Enable or disable via jumper



WP-G



WP-D

DESCRIPTION:

The Wet-Wet pressure transmitter is designed with dual sensors that enable it to accept high differential pressure ranges. The gauge pressure transmitter is designed with a single sensor that enables it to accept high pressures ranges.

Both transmitters can accept ranges from 5 PSI to 500 PSI. All models can handle overload pressure 2X the maximum full scale range and burst pressure is 5X the maximum full scale range. Features include field selectable pressure ranges and output signal types for the most flexible applications. Typical HVAC applications include monitoring of liquid differential and gauge pressure. The output signal is factory calibrated and temperature compensated for the highest start-up accuracy.

NOTE: When choosing pressure range ensure that the maximum individual port pressure does not exceed the maximum pressure range of the unit. For example, the maximum individual port pressure of the WP-D-102 is 100 PSI. Exceeding this may cause damage to the sensors and will give erroneous readings.

PRODUCT ORDERING INFORMATION:

MODEL	Description
WP-D	Wet/Wet differential pressure transmitter, jumper selectable outputs
WP-G	Gauge pressure transmitter, jumper selectable outputs

CODE	Pressure ranges
101	5, 10, 25 and 50 PSI ranges
102	10, 20, 50 and 100 PSI ranges
103	20, 40, 100 and 200 PSI ranges
104	50, 100, 250 and 500 PSI ranges
105	0.5, 1.0, 2.5 and 5.0 Bar
106	0.75, 1.50, 3.75 and 7.50 Bar
107	1, 2, 5 and 10 Bar
108	3, 6, 15 and 30 Bar
109	50, 100, 250 and 500 kPa
110	75, 150, 375 and 750 kPa
111	100, 200, 500 and 1000 kPa
112	300, 600, 1500 and 3000 kPa

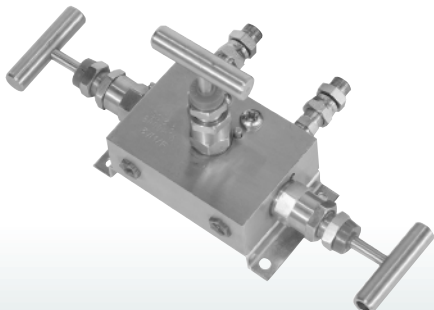
CODE	Option
LCD	Backlit LCD option
VB	Valve and bracket Assembly (Not available in the USA)

WP-D - 101 - LCD ← Typical Model Number

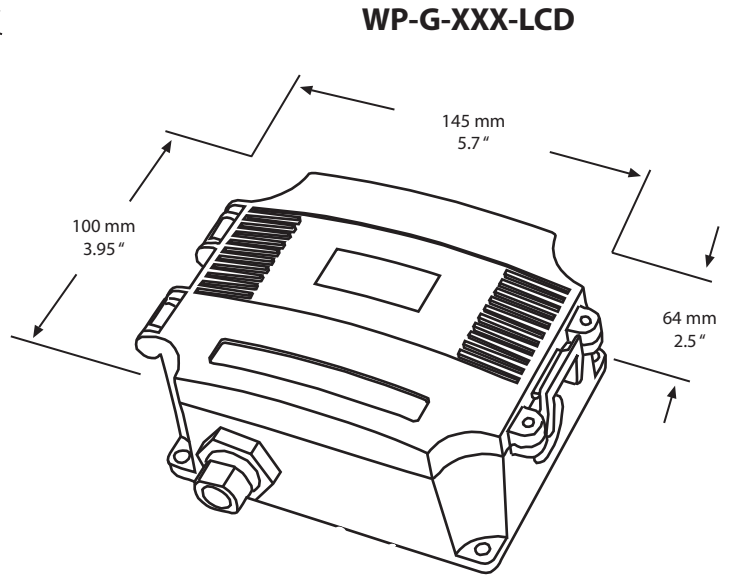
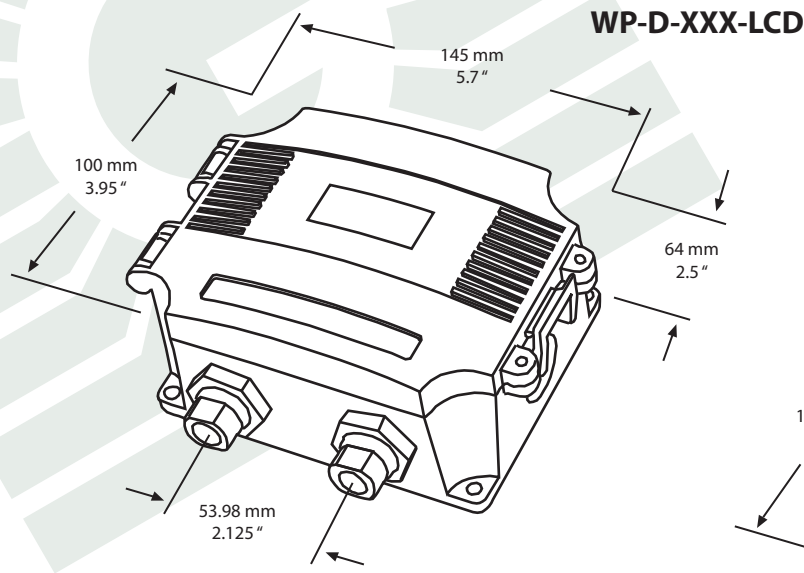
Example: Wet to Wet differential, 5 thru 50 PSI ranges c/w LCD (WP-D-101-LCD)

ACCESSORIES:

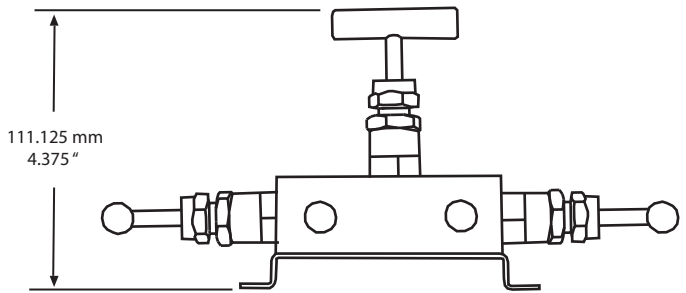
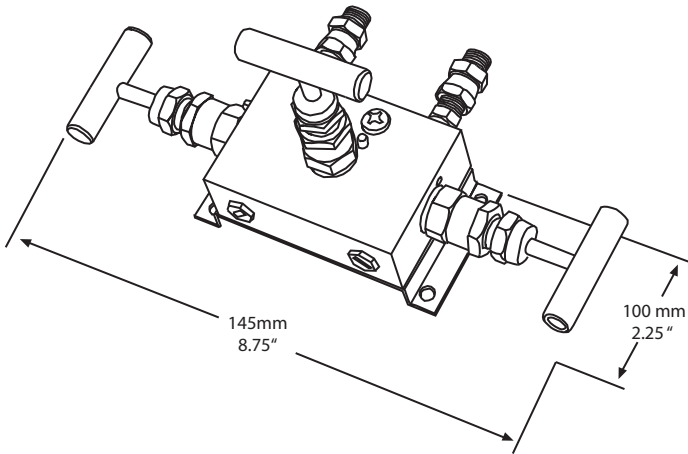
VB Option
3 Way Valve for WP-D
Not Available in the USA



DIMENSIONS:



-VB Option
3 Way Valve for WP-D
Not Available in the USA



GREYSTONE

ENERGY SYSTEMS INC

Greystone Energy Systems, Inc.
 150 English Drive, Moncton,
 New Brunswick, Canada E1E 4G7
 (506) 853-3057 Fax: (506) 853-6014
 North America: 1-800-561-5611
 e-mail: mail@greystoneenergy.com
 www.greystoneenergy.com

RoHS
 COMPLIANT



Greystone Energy Systems Inc. is one of North America's largest ISO registered manufacturers of HVAC/R sensors and transmitters for Building Automation Management Systems.

We have conscientiously established a worldwide reputation as an industry leader by maintaining leading-edge design technology, prompt technical support, and a commitment to on-time deliveries. We take pride in our Quality Management System which is ISO 9001 certified, assuring our customers of consistent product reliability.

GREYSTONE HAS AN ISO 9001 REGISTERED QUALITY SYSTEM