

SUBMITTAL

Room Pressure Monitor

PRODUCT SELECTION INFORMATION:

MODEL	Product Description
RP	Room Pressure Monitor

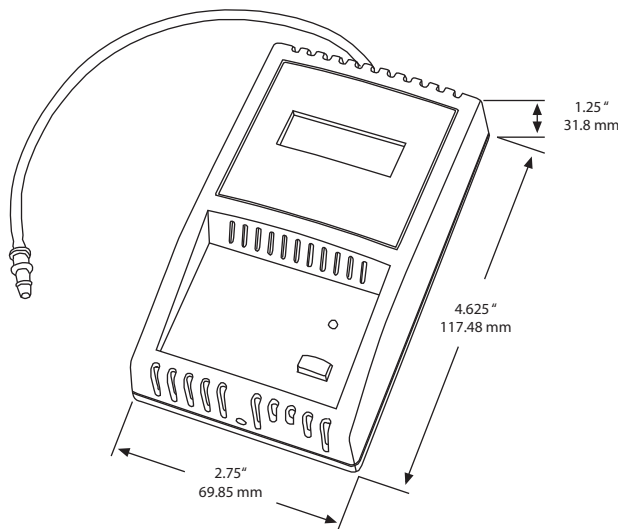
CODE	Range
01	± 1" WC
02	± 0.5" WC
03	± 0.25" WC
04	± 0.125" WC
05	± 250 Pa
06	± 125 Pa
07	± 60 Pa
08	± 30 Pa

CODE	Options
LC	LCD display-Displays the differential pressure value and the alarm setpoint value on demand
A	Alarm functions-LED, Silence switch, Buzzer out, Relay out and Setpoint control
SP	Stainless plate pick-up port
AE	Executive (AE) pick-up port

RP 04 A SP

Greystone Energy Systems, Inc. reserves the right to make design modifications without prior notice.

EXAMPLE: Room pressure, ± 0.125" WC, Alarm Functions and S/S pick-up port



The RP series is used to measure differential pressure between a room and reference space. It combines precision high sensitivity silicon sensing capabilities and the latest in ASIC technology. Standard features include: LCD, bi-directional pressure ranges, selectable output, and on-board auto zeroing. Available options include, alarm & buzzer features, flashing alarm LED & pick up ports.

Accuracy	± 1% FSO (± 2% FSO for 0.125" WC and 30 Pa ranges)
Measurement Type	Differential (two port)
Response Time	0.5 Seconds
Over-pressure	100" WC (24.9 kPa)
Output Signal	4-20 mA (3-wire), 0-5 Vdc or 0-10 Vdc Pin jumper selectable
Power Supply	15-27 Vac, 20-35 Vdc (non-isolated half-wave rectified)
Power Consumption	<30 mA - Base Model <50 mA - with alarm options <70 mA - with buzzer connected
Zero Adjustment	Pushbutton auto-zero (on device or remote)
Wiring	Screw terminal block (14 - 22 AWG)
Pressure Connection	1/8" ID Flexible tubing
Display	3½ digit LCD, 0.4" digit height
Relay Output	N.O. contact, 2.5 amps @ 120 Vac, 2.5 amps @ 30 Vdc
Relay Trip Point	Adjustable from Zero to Span via trimpot
Relay Delay	5 seconds on / 5 seconds off

Installation:

For complete installation and wiring details, please refer to the product installation instructions.

Install the enclosure directly on a standard electrical box about four to five feet from the floor of the area to be controlled. Remove the enclosure cover by snapping the bottom edge loose and then unhook the cover from the base at the top edge. Route any wires through the back of the enclosure base and then through the wiring hole in the circuit board. The enclosure has a multifunction base that has provisions for mounting on many standard electrical boxes. After installation the cover should be locked on by using the setscrew (1/16" or 1.5mm) located at the bottom of the enclosure. The remote pressure pickup (mounted on an electrical wall plate) is typically mounted on the opposite side of the wall outside the room being monitored. It also mounts directly to a standard electrical box about four to five feet from the floor. If the remote buzzer option is used, simply mount it directly to a standard electrical box.



GREYSTONE

ACCURACY BY DESIGN

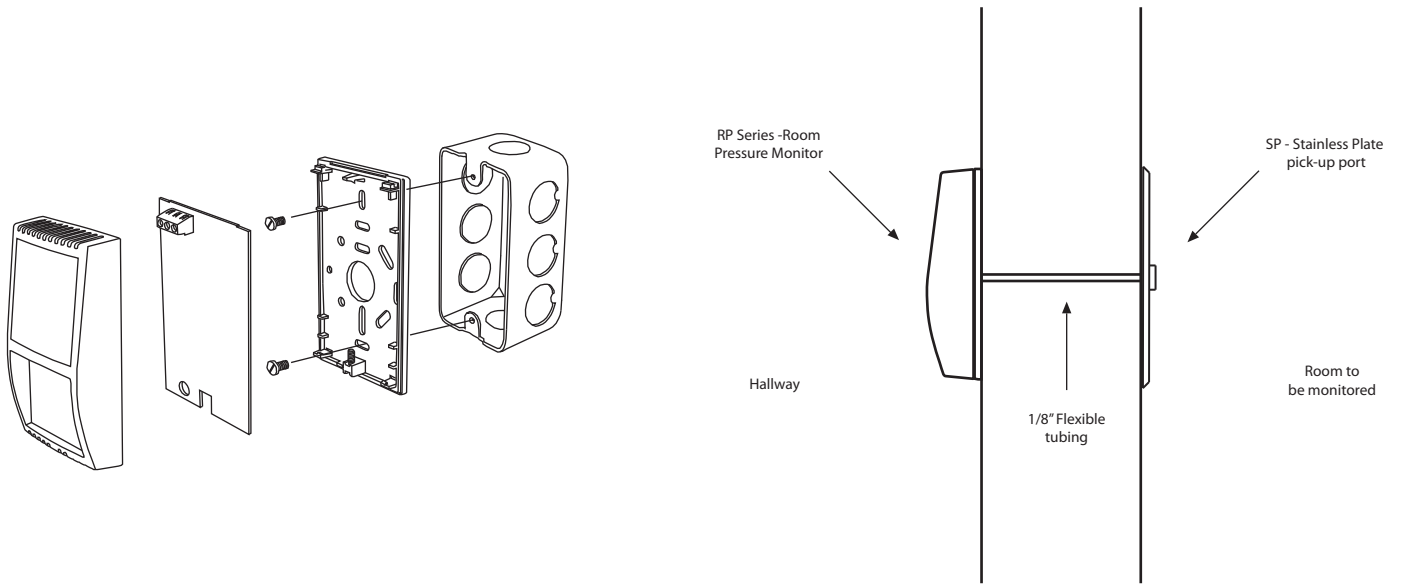
Greystone Energy Systems, Inc.
150 English Drive, Moncton, NB
Canada E1E 4G7

(506) 853-3057 Fax: (506) 853-6014
North America: 1-800-561-5611
e-mail: mail@greystoneenergy.com
www.greystoneenergy.com

RoHS
COMPLIANT

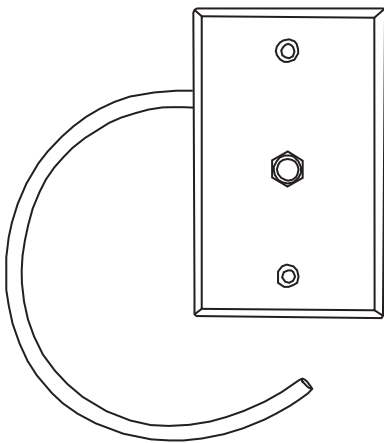


Typical Installation

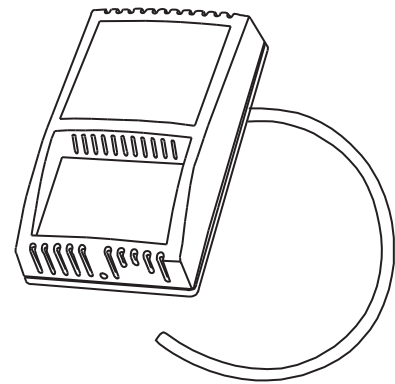


Accessories

**SP Option
Stainless Plate Pick-up Port
(RPV if ordered separately)**



**AE Option
Executive Pick-up Port
(EPV if ordered separately)**



**AA-1
Audible Alarm**

